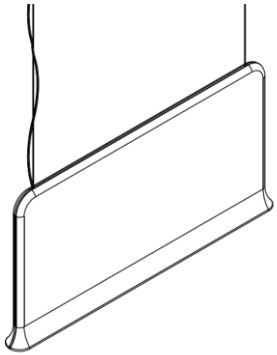


Trumpet

Assembly Instructions ver 1.0

Including components:



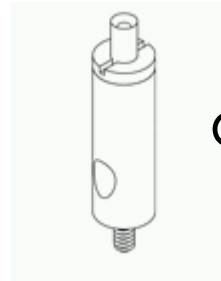
Trumpet
(1x)



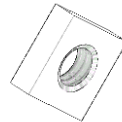
Ceiling bracket (2x)
(T24 profile)



Roof bracket (2x)

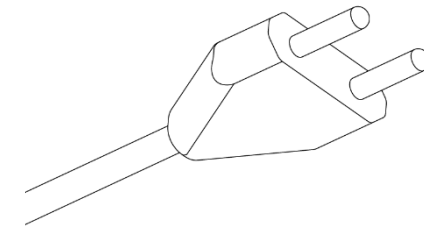
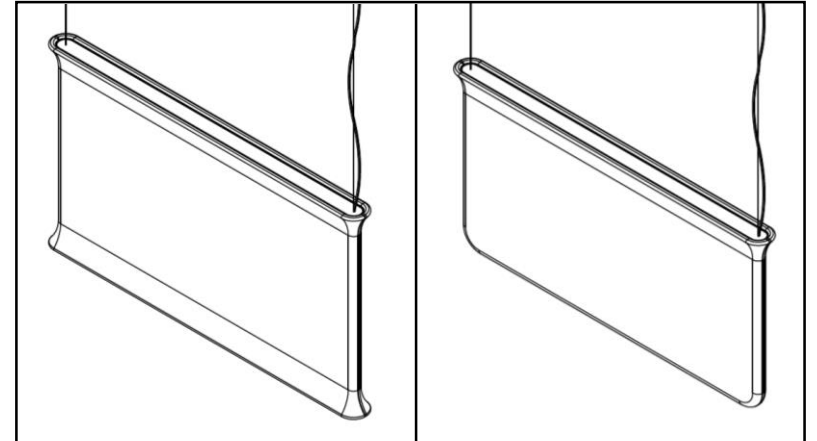


Gripper (2x)



Nut M4 (2x)

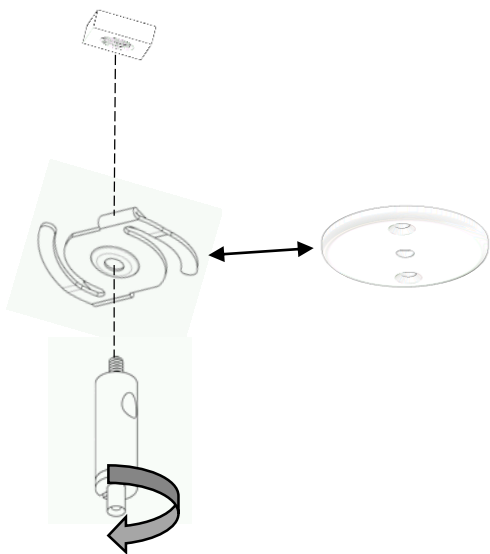
Applies to uplight and U&D light



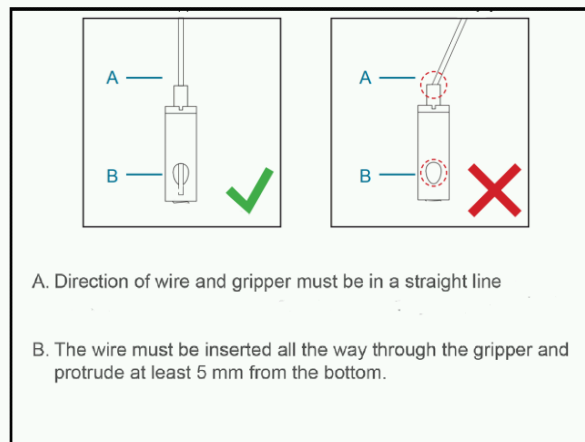
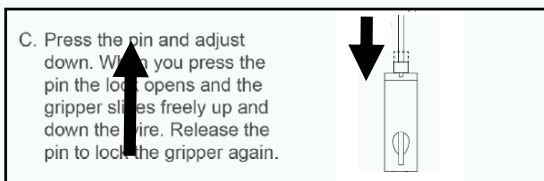
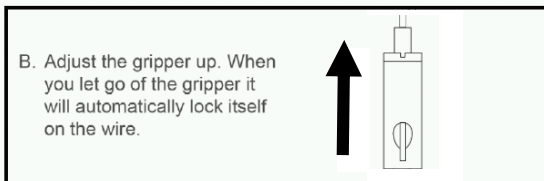
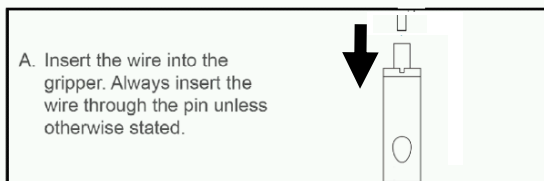
Only 230V input

abstracta

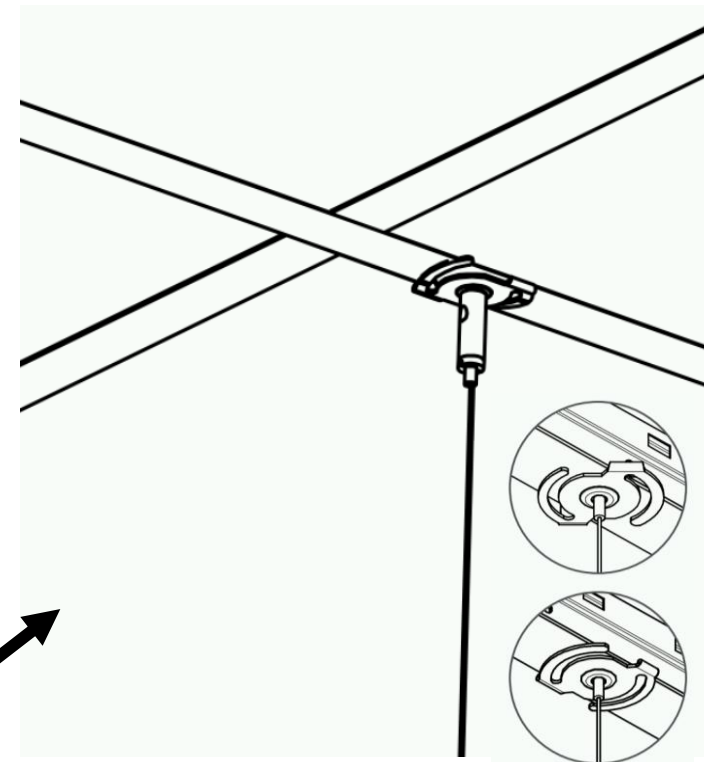
1.



2.



3.



For questions, contact Abstracta customer support

+46 472 26 96 00

Care instructions

To maintain the color and appearance of the Trumpet, the product should be vacuum cleaned regularly with a soft nozzle.

Stain removal, dab or wipe gently with a damp cloth.